



TRV- AND TRH- WATER TO AIR HEATERS



SAFE & EFFICIENT HEATING





FLEXIBLE DESIGN

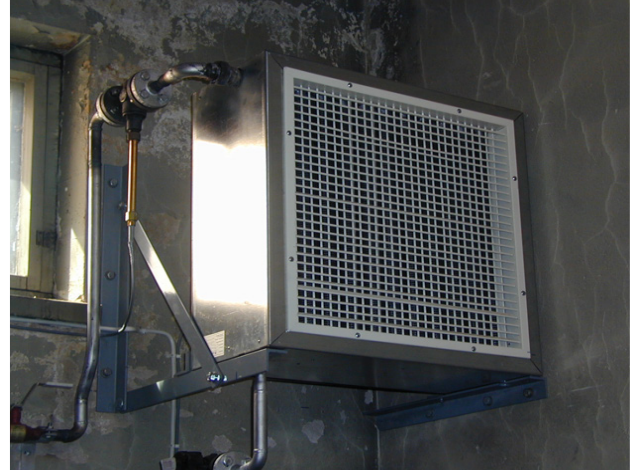


Eino Talsi Oy is part of the Ekocoil Group. The company has already for decades specialized in developing and manufacturing finned tube products. The product range also includes economizers, air pre-heaters and warm air generators.

Eino Talsi is responsible for the whole end-to-end process from design to production. This enables it to offer unique, flexible and reliable service for each customer.

Eino Talsi Oy follows the ISO 9001 quality standard in its production.

SAFE AND EFFICIENT HEATING



Eino Talsi TRV- and TRH- Water to Air heaters offer a safe way to produce heat to different kinds of working spaces. They can be used, for example, in different kinds of production plants, warehouses and workshops. They use water or steam as heating source.

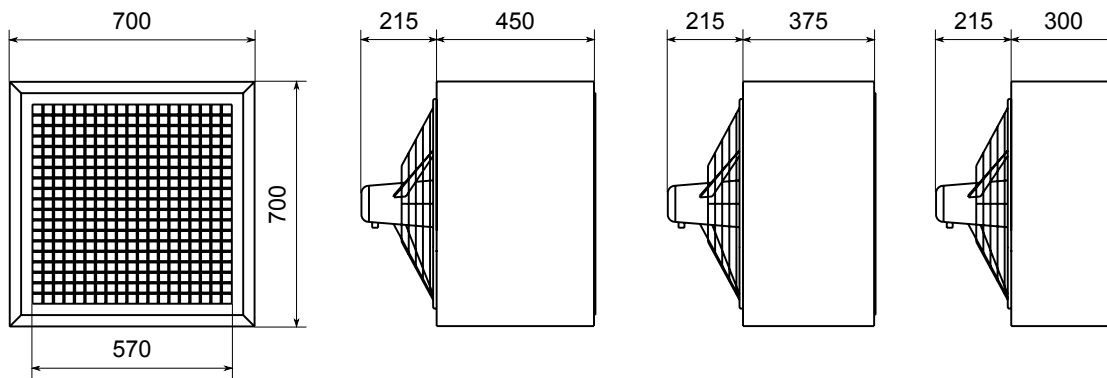
TRV- and TRH- Water to Air Heaters suit extremely well to dirty and dusty spaces, since the finned tube structure make them resistant to outside dirt and dust and they are also easy to clean.

STRUCTURE

The structure of the Water to Air Heater is simple. It consists of steel frame, finned tube coils and fans. If needed, it can also include air control louver and a steam trap. The finned tube coil has 2,3 or 4 rows.

The frame is made of 1,5mm thick hot dipped galvanized steelplate, which shields the product from dents and makes it sturdy.

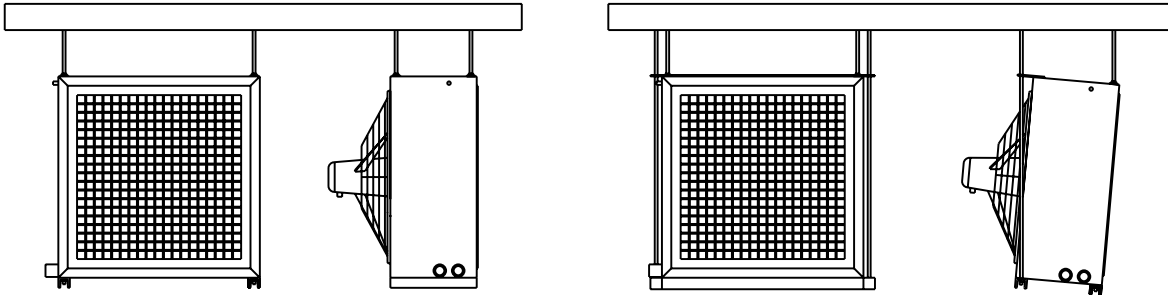
The air control louver is two-way and it can be used to adjust the direction of the fans and trajectory as needed. The Water to Air Heater can be mounted either into a wall or ceiling. The product is available also as a transferable version.



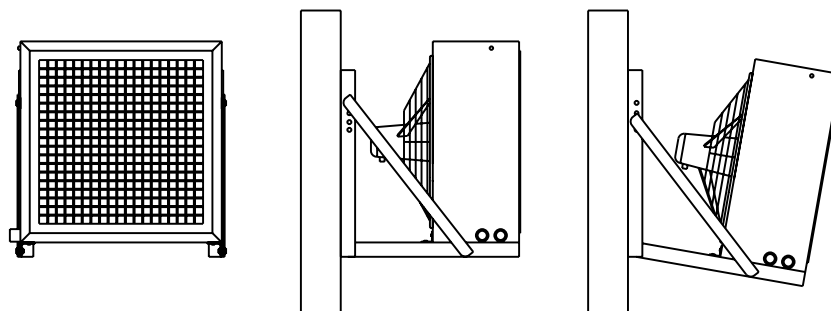
MODEL	Air flow nm ³ /h	Air ΔT °C	Power kW	Water °C	Wiegth kg	Coupling in	Coupling out	Fan	
								1~kW	3~kW
TRV-2	3800	+5 - +20	20	80/74	100	1"	1"	0.22	0.23
TRV-3	3800	+5 - +27	30	80/71	125	1"	1"	0.31	0.32
TRV-4	4700	+5 - +29	4	80/68	150	1"	1"	0.44	0.43
TRV-2	3800	+5 - +25	27	100/92	100	1"	1"	0.22	0.23
TRV-3	3800	+5 - +35	47	100/80	125	1"	1"	0.31	0.32
TRV-4	4700	+5 - +39	51	100/75	150	1"	1"	0.44	0.43
				Höyry bar ylip.					
TRH-2	3800	+5 - +38	45	3	100	1 1/4"	1/2"	0.22	0.23
TRH-3	3800	+5 - +52	65	3	125	1 1/4"	1/2"	0.31	0.32
TRH-4	4700	+5 - +55	85	3	150	1 1/4"	1/2"	0.44	0.43
TRH-2	3800	+5 - +49	60	10	100	1 1/4"	1/2"	0.22	0.23
TRH-3	3800	+5 - +69	88	10	125	1 1/4"	1/2"	0.31	0.32
TRH-4	4700	+5 - +78	125	10	150	1 1/4"	1/2"	0.44	0.43

MOUNTING

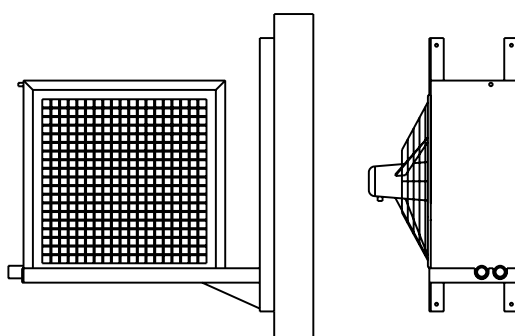
Eino Talsi Water to Air Heaters have either wall or ceiling steel mounts as accessory. The mounts are delivered color painted in RAL 7024.



Ceiling mount K1 is simple spiral ceiling mount. Ceiling mount K2 has a threaded structure and it can be delivered with the desired angle.



Wall mount S, with on 4 different options for the angle, 0°, 5°, 10° and 15°.



Wall mount S90°.

EKOCOIL Group is one of the leading manufacturers of finned coils in the Nordic region. Our extensive product portfolio also includes air to air plate heat exchangers, dry coolers, condensers and evaporators and coolers.

Our products are easily customized and optimized. They have a wide variety of applications in different types of conditions and environments. Our Sales will help with planning and dimensioning.

SALES:

Sales & Production: Heikki Mantere +358 40 7770306
Production Engineer: Tuomas Hänninen +358 400 713416
Email: firstname.lastname@eintalsi.fi

 **EINO TALSIOY**
MEMBER OF **EKOCOIL** GROUP

www.ekocoil.fi